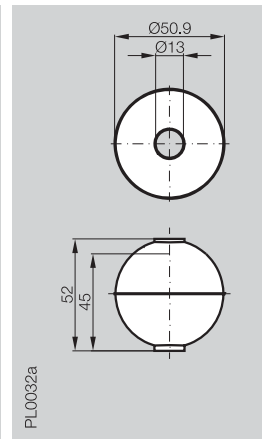
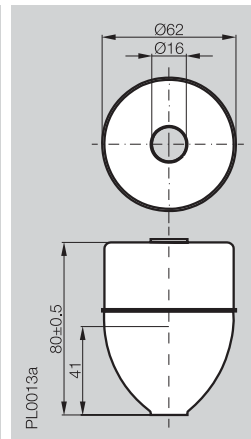
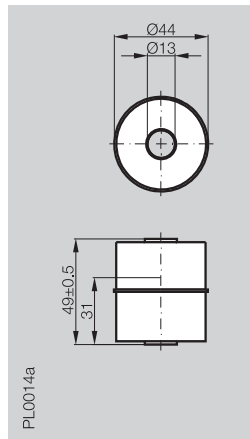
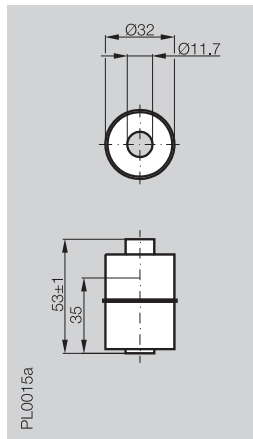


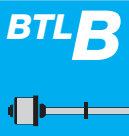
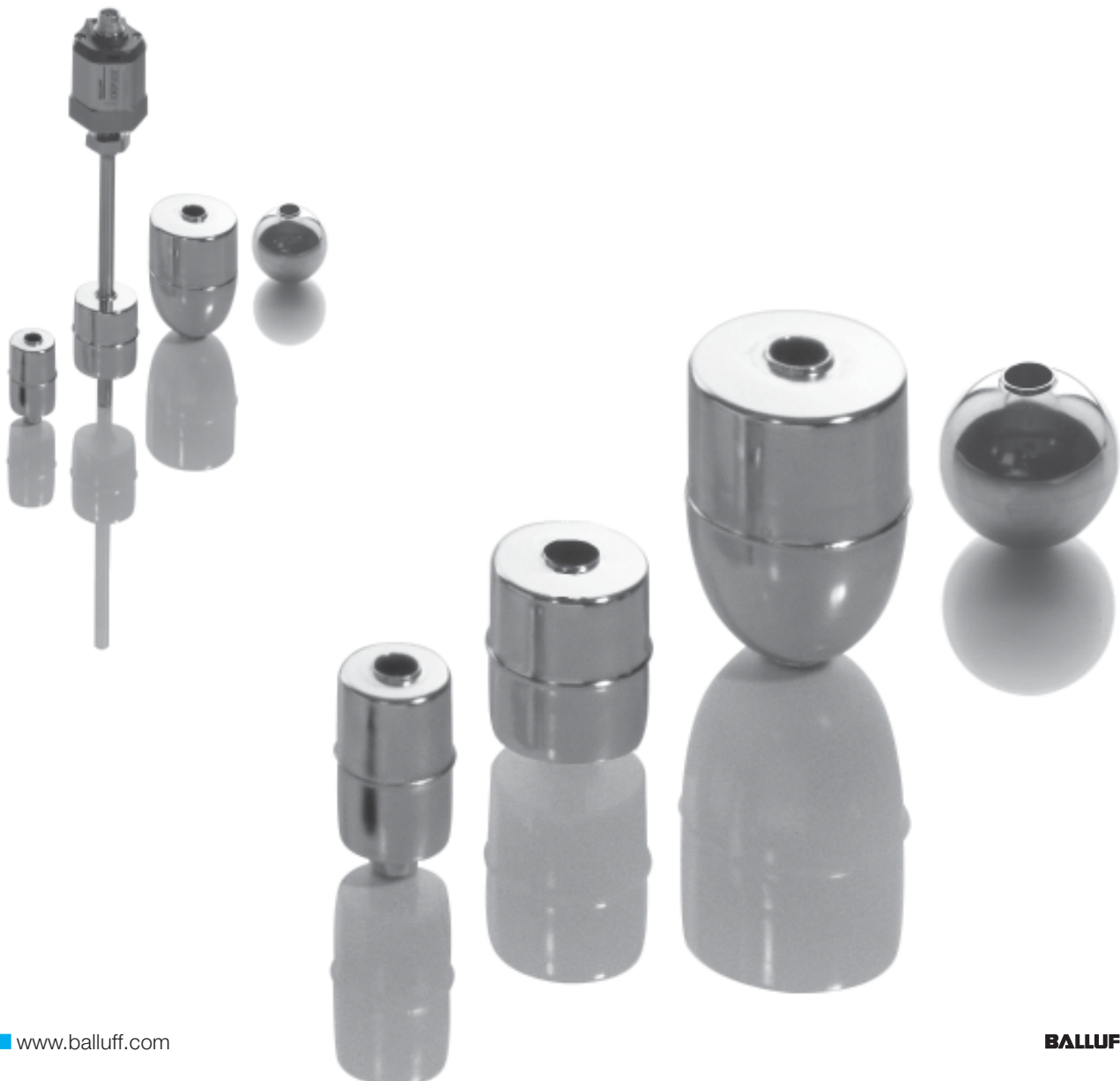
# Micropulse Transducers

Floats  
Rod series

Description for series	<b>Float</b> BTL5 Rod	<b>Float</b> BTL5 Rod	<b>Float</b> BTL5 Rod	<b>Float</b> BTL5 Rod
------------------------	--------------------------	--------------------------	--------------------------	--------------------------



Ordering code	BTL2-S-3212-4Z	BTL2-S-4414-4Z	BTL2-S-6216-8P	BTL2-S-5113-4K
Material	Stainless 1.4571	Stainless 1.4571	Stainless 1.4541	Stainless 1.4571
Weight	approx. 20 g	approx. 30 g	approx. 66 g	approx. 34 g
Operating/Storage temperature	-40...+120 °C	-40...+120 °C	-40...+120 °C	-40...+120 °C
Displacement in water	approx. 35 mm	approx. 31 mm	approx. 41 mm	approx. 45 mm
Pressure resistance (static)	24 bar	20 bar	15 bar	40 bar



- General data
- Analog interface
- Digital pulse interface
- SSI-interface
- CANopen interface
- PROFIBUS-DP interface
- Position recognition in the hydraulics
- Magnets and floats**
- Installation notes
- Special series